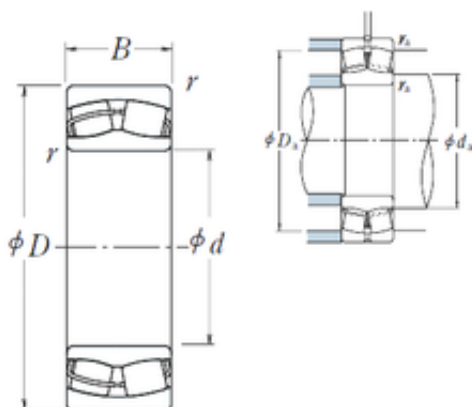




BEARING CORP.OF AMERICA



120 mm x 200 mm x 62 mm NSK 23124CE4 Spherical Roller Bearing

Bearing No. 23124CE4

23124CE4 Bearing 2D drawings and 3D CAD models

Size	120x200x62 mm
Bore Diameter	120 mm
Outer Diameter	200 mm
Width	62 mm
d	120 mm
D	200 mm
B	62 mm
C	62 mm
r min.	2 mm
da min.	130 mm
da max	138 mm
Da min	175 mm
Da max.	190 mm
ra max.	2 mm
Weight	7,85 Kg
Basic dynamic load rating (C)	465 kN
Basic static load rating (C0)	720 kN
(Grease) Lubrication Speed	1400 r/min
(Oil) Lubrication Speed	1800 r/min
Calculation factor (e)	0,29
Calculation factor (Y0)	2,3
Calculation factor (Y2)	3,5
Category	Spherical Roller Bearings
Inventory	0.0
Manufacturer Name	NSK



BEARING CORP.OF AMERICA

Minimum Buy Quantity	N/A
Weight / Kilogram	7.9
EAN	0029176027536
Product Group	B04311
Internal Clearance	C0-Medium
Mounting Method	Shaft Mount
Rolling Element	Spherical Roller Bearing
Bore Profile	Straight
Cage Material	Steel
Enclosure	Open
Number of Rows of Rollers	Double Row
Relubricatable	Yes
Withdrawal Sleeve	Not Applicable
Inch - Metric	Metric
Long Description	120MM Straight Bore; 200MM Outside Diameter; 62MM Width; C0-Medium Clearance; Shaft Mount; Double Row of Spherical Roller Bearings; Steel Cage Material; Open Enclosure; Relubricatable
Category	Spherical Roller Bearing
UNSPSC	31171510
Harmonized Tariff Code	84823080
Noun	Bearing
Keyword String	Spherical
Manufacturer URL	http://www.nskamericas.com
Manufacturer Item Number	23124CE4
Weight / LBS	7.88
Outside Diameter	7.874 Inch 200 Millimeter
Adapter Part Number	Not Applicable Inch Not Applicable Millimeter
Bore	4.724 Inch 120 Millimeter



BEARING CORP.OF AMERICA

Width	2.441 Inch 62 Millimeter
Y3	2.4
hidYobi	23124CE4
LangID	1
Y1	2.4
D_	200
Y2	3.5
Macha rpm	0
B_	62
da min	130
hidTable	ecat_NSSPHR
Oil rpm	1800
Y0	2.3
mass	7.85
GRS rpm	1400
ra	2
TSR rpm	2800
C0	720
DE_	180.721
X0	1
Prod_Type3	SRB_CTB_CB
X1	1
X2	0.67
SIR	24
e	0.29
DA_	20
bomp	23124CE4
Z_	21
ALP2	50
ALP1	10
ALP3	0
D_a max	190



BEARING CORP.OF AMERICA

D_a min	175
yobi	23124CE4
ALPHA_	0.189
SDM_	161.077
r	2
KBRG	2322
SBRG	31
DI_	141.434