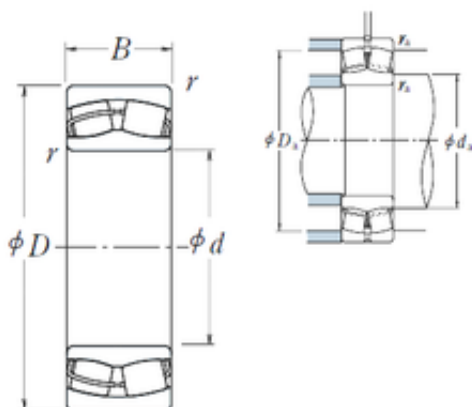




BEARING CORP.OF AMERICA



120 mm x 215 mm x 76 mm NSK 23224CE4 Spherical Roller Bearing

Bearing No. 23224CE4

23224CE4 Bearing 2D drawings and 3D CAD models

Size	120x215x76 mm
Bore Diameter	120 mm
Outer Diameter	215 mm
Width	76 mm
d	120 mm
D	215 mm
B	76 mm
C	76 mm
r min.	2,1 mm
da min.	132 mm
da max	140 mm
Da min	182 mm
Da max.	203 mm
ra max.	2 mm
Weight	12,1 Kg
Basic dynamic load rating (C)	630 kN
Basic static load rating (C0)	970 kN
(Grease) Lubrication Speed	1300 r/min
(Oil) Lubrication Speed	1700 r/min
Calculation factor (e)	0,34
Calculation factor (Y0)	1,9
Calculation factor (Y2)	2,9
Category	Spherical Roller Bearings
Inventory	0.0
Manufacturer Name	NSK



BEARING CORP.OF AMERICA

Minimum Buy Quantity	N/A
Weight / Kilogram	12.3
Product Group	B04311
Internal Clearance	C0-Medium
Mounting Method	Shaft Mount
Rolling Element	Spherical Roller Bearing
Bore Profile	Straight
Cage Material	Steel
Enclosure	Open
Number of Rows of Rollers	Double Row
Relubricatable	Yes
Withdrawal Sleeve	Not Applicable
Inch - Metric	Metric
Long Description	120MM Straight Bore; 215MM Outside Diameter; 76MM Width; C0-Medium Clearance; Shaft Mount; Double Row of Spherical Roller Bearings; Steel Cage Material; Open Enclosure; Relubricatable
Category	Spherical Roller Bearing
UNSPSC	31171510
Harmonized Tariff Code	84823080
Noun	Bearing
Keyword String	Spherical
Manufacturer URL	http://www.nskamericas.com
Manufacturer Item Number	23224CE4
Weight / LBS	12.3
Outside Diameter	8.465 Inch 215 Millimeter
Adapter Part Number	Not Applicable Inch Not Applicable Millimeter
Width	2.992 Inch 76 Millimeter
Bore	4.724 Inch 120 Millimeter



BEARING CORP.OF AMERICA

bore diameter:	120 mm
outer ring type:	Not Split
outside diameter:	215 mm
internal clearance:	C0
overall width:	76 mm
lubrication hole type:	Oil Grooves And Holes In Outer Ring
bore type:	Straight
cage material:	Bronze
Y3	2
hidYobi	23224CE4
LangID	1
Y1	2
D_	215
Y2	2.9
Macha rpm	0
B_	76
da min	132
hidTable	ecat_NSSPHR
Oil rpm	1700
Y0	1.9
mass	12.1
GRS rpm	1300
ra	2
TSR rpm	2000
C0	970
DE_	191.104
X0	1
Prod_Type3	SRB_CTB_CB
X1	1
X2	0.67
SIR	30.5
e	0.34



BEARING CORP.OF AMERICA

DA_	23.5
bomp	23224CE4
Z_	19
ALP2	50
ALP1	12
ALP3	0
D_a max	203
D_a min	182
yobi	23224CE4
ALPHA_	0.224
SDM_	168.191
r	2.1
KBRG	2322
SBRG	32
DI_	145.278