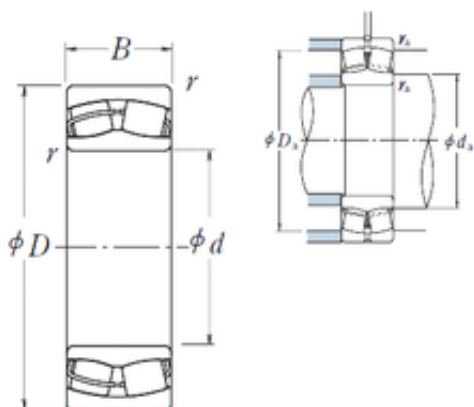




BEARING CORP.OF AMERICA



180 mm x 300 mm x 96 mm NSK 23136CE4 Spherical Roller Bearing

Bearing No. 23136CE4

23136CE4 Bearing 2D drawings and 3D CAD models

Size	180x300x96 mm
Bore Diameter	180 mm
Outer Diameter	300 mm
Width	96 mm
d	180 mm
D	300 mm
B	96 mm
C	96 mm
r min.	3 mm
da min.	194 mm
da max	206 mm
Da min	260 mm
Da max.	286 mm
ra max.	2,5 mm
Weight	27,5 Kg
Basic dynamic load rating (C)	1050 kN
Basic static load rating (C0)	1760 kN
(Grease) Lubrication Speed	900 r/min
(Oil) Lubrication Speed	1200 r/min
Calculation factor (e)	0,3
Calculation factor (Y0)	2,2
Calculation factor (Y2)	3,4
Category	Spherical Roller Bearings
Inventory	0.0
Manufacturer Name	NSK



BEARING CORP.OF AMERICA

Minimum Buy Quantity	N/A
Weight / Kilogram	28
EAN	0029176031687
Product Group	B04311
Internal Clearance	C0-Medium
Mounting Method	Shaft Mount
Rolling Element	Spherical Roller Bearing
Bore Profile	Straight
Cage Material	Steel
Enclosure	Open
Number of Rows of Rollers	Double Row
Relubricatable	Yes
Withdrawal Sleeve	Not Applicable
Inch - Metric	Metric
Long Description	180MM Straight Bore; 300MM Outside Diameter; 96MM Width; C0-Medium Clearance; Shaft Mount; Double Row of Spherical Roller Bearings; Steel Cage Material; Open Enclosure; Relubricatable
Category	Spherical Roller Bearing
UNSPSC	31171510
Harmonized Tariff Code	84823080
Noun	Bearing
Keyword String	Spherical
Manufacturer URL	http://www.nskamericas.com
Manufacturer Item Number	23136CE4
Weight / LBS	28
Outside Diameter	11.811 Inch 300 Millimeter
Width	3.78 Inch 96 Millimeter
Adapter Part Number	Not Applicable Inch Not Applicable Millimeter



BEARING CORP.OF AMERICA

Bore	7.087 Inch 180 Millimeter
bore diameter:	180 mm
outer ring type:	Not Split
outside diameter:	300 mm
internal clearance:	C0
overall width:	96 mm
lubrication hole type:	Oil Grooves And Holes In Outer Ring
bore type:	Straight
cage material:	Brass
Y3	2.3
hidYobi	23136CE4
LangID	1
Y1	2.3
D_	300
Y2	3.4
Macha rpm	0
B_	96
da min	194
hidTable	ecat_NSSPHR
Oil rpm	1200
Y0	2.2
mass	27.5
GRS rpm	900
ra	2.5
TSR rpm	1700
C0	1760
DE_	270.697
X0	1
Prod_Type3	SRB_CTB_CB
X1	1
X2	0.67
SIR	38.5



BEARING CORP.OF AMERICA

e	0.3
DA_	30
bomp	23136CE4
Z_	21
ALP2	15
ALP1	11
ALP3	0
D_a max	286
D_a min	260
yobi	23136CE4
ALPHA_	0.196
SDM_	241.273
r	3
KBRG	2322
SBRG	31
DI_	211.85