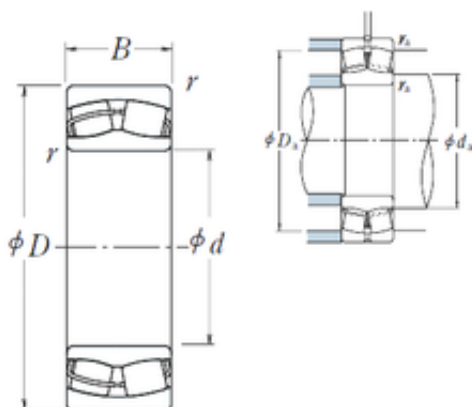




BEARING CORP.OF AMERICA



180 mm x 320 mm x 112 mm NSK 23236CE4 Spherical Roller Bearing

Bearing No. 23236CE4

23236CE4 Bearing 2D drawings and 3D CAD models

Size	180x320x112 mm
Bore Diameter	180 mm
Outer Diameter	320 mm
Width	112 mm
d	180 mm
D	320 mm
B	112 mm
C	112 mm
r min.	4 mm
da min.	198 mm
da max	211 mm
Da min	274 mm
Da max.	302 mm
ra max.	3 mm
Weight	38,9 Kg
Basic dynamic load rating (C)	1300 kN
Basic static load rating (C0)	2110 kN
(Grease) Lubrication Speed	850 r/min
(Oil) Lubrication Speed	1100 r/min
Calculation factor (e)	0,33
Calculation factor (Y0)	2
Calculation factor (Y2)	3
Category	Spherical Roller Bearings
Inventory	0.0
Manufacturer Name	NSK



BEARING CORP.OF AMERICA

Minimum Buy Quantity	N/A
Weight / Kilogram	37.5
EAN	0029176031915
Product Group	B04311
Internal Clearance	C0-Medium
Mounting Method	Shaft Mount
Rolling Element	Spherical Roller Bearing
Bore Profile	Straight
Cage Material	Steel
Enclosure	Open
Number of Rows of Rollers	Double Row
Relubricatable	Yes
Withdrawal Sleeve	Not Applicable
Inch - Metric	Metric
Long Description	180MM Straight Bore; 320MM Outside Diameter; 112MM Width; C0-Medium Clearance; Shaft Mount; Double Row of Spherical Roller Bearings; Steel Cage Material; Open Enclosure; Relubricatable
Category	Spherical Roller Bearing
UNSPSC	31171510
Harmonized Tariff Code	84823080
Noun	Bearing
Keyword String	Spherical
Manufacturer URL	http://www.nskamericas.com
Manufacturer Item Number	23236CE4
Weight / LBS	37.5
Width	4.409 Inch 112 Millimeter
Outside Diameter	12.598 Inch 320 Millimeter
Bore	7.087 Inch 180 Millimeter
Adapter Part Number	Not Applicable Inch Not



BEARING CORP.OF AMERICA

	Applicable Millimeter
bore diameter:	180 mm
outer ring type:	Not Split
outside diameter:	320 mm
internal clearance:	C0
overall width:	112 mm
lubrication hole type:	Oil Grooves And Holes In Outer Ring
bore type:	Straight
cage material:	Bronze
Y3	2
hidYobi	23236CE4
LangID	1
Y1	2
D_	320
Y2	3
Macha rpm	0
B_	112
da min	198
hidTable	ecat_NSSPHR
Oil rpm	1100
Y0	2
mass	38.9
GRS rpm	850
ra	3
TSR rpm	1300
C0	2110
DE_	287.031
X0	1
Prod_Type3	SRB_CTB_CB
X1	1
X2	0.67
SIR	44.5



BEARING CORP.OF AMERICA

e	0.33
DA_	35
bomp	23236CE4
Z_	19
ALP2	30
ALP1	12
ALP3	0
D_a max	302
D_a min	274
yobi	23236CE4
ALPHA_	0.218
SDM_	252.861
r	4
KBRG	2322
SBRG	32
DI_	218.69