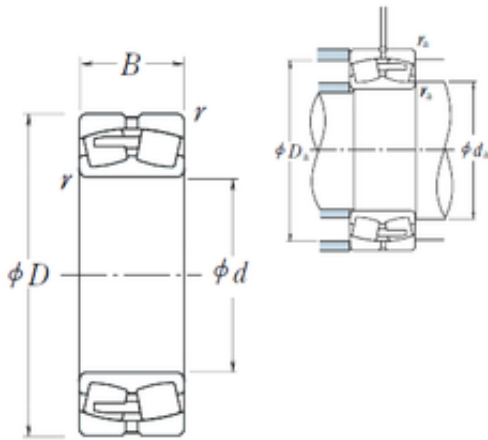




BEARING CORP.OF AMERICA

240 mm x 360 mm x 92 mm NSK 23048CAE4 Spherical Roller Bearing

Bearing No. 23048CAE4



23048CAE4 Bearing 2D drawings and 3D CAD models

Size	240x360x92 mm
Bore Diameter	240 mm
Outer Diameter	360 mm
Width	92 mm
d	240 mm
D	360 mm
B	92 mm
C	92 mm
r min.	3 mm
da min.	254 mm
Da min	324 mm
Da max.	346 mm
ra max.	2,5 mm
Weight	32,6 Kg
Basic dynamic load rating (C)	1160 kN
Basic static load rating (C0)	2140 kN
(Grease) Lubrication Speed	850 r/min
(Oil) Lubrication Speed	1100 r/min
Calculation factor (e)	0,24
Calculation factor (Y0)	2,7
Calculation factor (Y2)	4,2