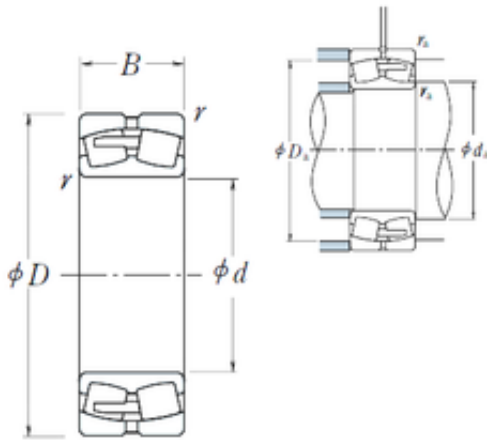




# BEARING CORP.OF AMERICA

## 320 mm x 480 mm x 160 mm NSK 24064CAE4 Spherical Roller Bearing



Bearing No. 24064CAE4

24064CAE4 Bearing 2D drawings and 3D CAD models

Size	320x480x160 mm
Bore Diameter	320 mm
Outer Diameter	480 mm
Width	160 mm
d	320 mm
D	480 mm
B	160 mm
C	160 mm
r min.	4 mm
da min.	338 mm
Da min	422 mm
Da max.	462 mm
ra max.	3 mm
Weight	99,7 Kg
Basic dynamic load rating (C)	2440 kN
Basic static load rating (C0)	5050 kN
(Grease) Lubrication Speed	500 r/min
(Oil) Lubrication Speed	670 r/min
Calculation factor (e)	0,31
Calculation factor (Y0)	2,2
Calculation factor (Y2)	3,3