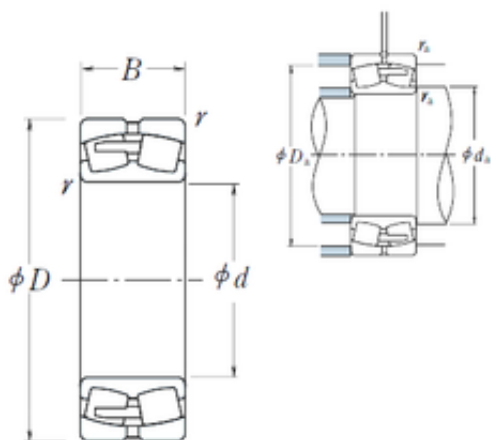




BEARING CORP.OF AMERICA

400 mm x 650 mm x 250 mm NSK 24180CAE4 Spherical Roller Bearing

Bearing No. 24180CAE4



24180CAE4 Bearing 2D drawings and 3D CAD models

Size	400x650x250 mm
Bore Diameter	400 mm
Outer Diameter	650 mm
Width	250 mm
d	400 mm
D	650 mm
B	250 mm
C	250 mm
r min.	6 mm
da min.	428 mm
Da min	551 mm
Da max.	622 mm
ra max.	5 mm
Weight	316 Kg
Basic dynamic load rating (C)	4950 kN
Basic static load rating (C0)	10100 kN
(Grease) Lubrication Speed	380 r/min
(Oil) Lubrication Speed	480 r/min
Calculation factor (e)	0,37
Calculation factor (Y0)	1,8
Calculation factor (Y2)	2,7