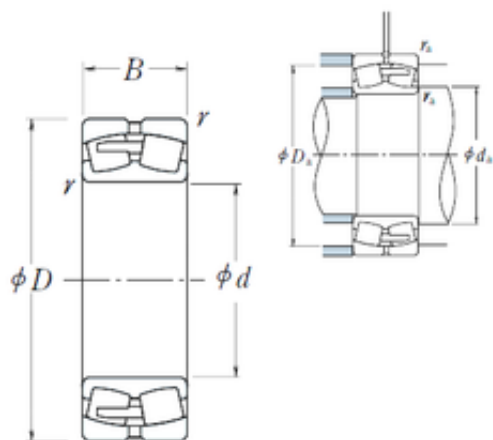




BEARING CORP.OF AMERICA



530 mm x 780 mm x 185 mm NSK 230/530CAE4 Spherical Roller Bearing

Bearing No. 230/530CAE4

Size	530x780x185 mm
Bore Diameter	530 mm
Outer Diameter	780 mm
Width	185 mm
d	530 mm
D	780 mm
B	185 mm
C	185 mm
r min.	6 mm
da min.	558 mm
Da min	706 mm
Da max.	752 mm
ra max.	5 mm
Weight	298 Kg
Basic dynamic load rating (C)	4400 kN
Basic static load rating (C0)	9200 kN
(Grease) Lubrication Speed	340 r/min
(Oil) Lubrication Speed	430 r/min
Calculation factor (e)	0,22
Calculation factor (Y0)	3
Calculation factor (Y2)	4,6

230/530CAE4 Bearing 2D drawings and 3D CAD models