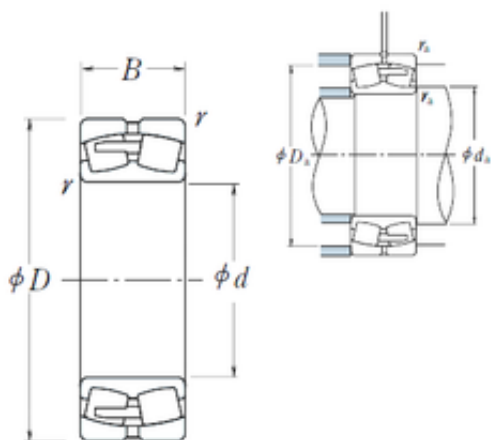




# BEARING CORP.OF AMERICA



## 630 mm x 1030 mm x 400 mm NSK 241/630CAE4 Spherical Roller Bearing

Bearing No. 241/630CAE4

Size	630x1030x400 mm
Bore Diameter	630 mm
Outer Diameter	1030 mm
Width	400 mm
d	630 mm
D	1030 mm
B	400 mm
C	400 mm
r min.	7,5 mm
da min.	666 mm
Da min	876 mm
Da max.	994 mm
ra max.	6 mm
Weight	1250 Kg
Basic dynamic load rating (C)	11300 kN
Basic static load rating (C0)	23900 kN
(Grease) Lubrication Speed	200 r/min
(Oil) Lubrication Speed	260 r/min
Calculation factor (e)	0,38
Calculation factor (Y0)	1,7
Calculation factor (Y2)	2,7

241/630CAE4 Bearing 2D drawings and 3D CAD models