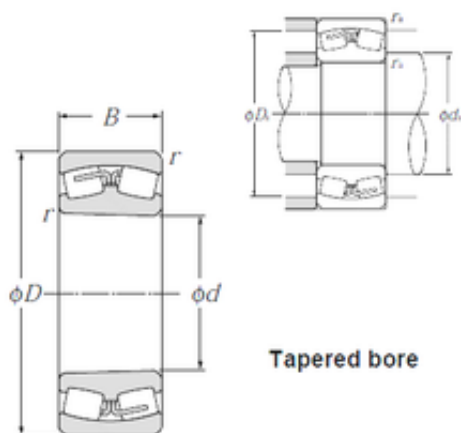




BEARING CORP.OF AMERICA

480 mm x 790 mm x 248 mm NTN 23196BK Spherical Roller Bearings



Bearing No. 23196BK

Size	480x790x248 mm
Bore Diameter	480 mm
Outer Diameter	790 mm
Width	248 mm
d	480 mm
D	790 mm
B	248 mm
C	248 mm
r min.	7,5 mm
da min.	516 mm
Da max.	754 mm
ra max.	6 mm
Weight	477 Kg
Basic dynamic load rating (C)	6 200 kN
Basic static load rating (C0)	12 300 kN
(Grease) Lubrication Speed	350 r/min
(Oil) Lubrication Speed	450 r/min
Calculation factor (e)	0,31
Calculation factor (Y0)	2,11
Calculation factor (Y1)	2,15
Category	Bearings
Inventory	0.0
Manufacturer Name	NTN
Minimum Buy Quantity	N/A
Weight / Kilogram	477

23196BK Bearing 2D drawings and 3D CAD models



BEARING CORP.OF AMERICA

Product Group	B04311
---------------	--------