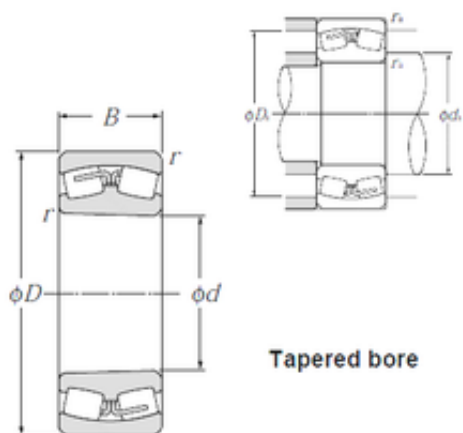




BEARING CORP.OF AMERICA

800 mm x 1 060 mm x 195 mm NTN 239/800K Spherical Roller Bearings



Bearing No. 239/800K

Size	800x1060x195 mm
Bore Diameter	800 mm
Outer Diameter	1060 mm
Width	195 mm
d	800 mm
D	1 060 mm
B	195 mm
C	195 mm
r min.	6 mm
da min.	828 mm
Da max.	1 032 mm
ra max.	5 mm
Weight	471 Kg
Basic dynamic load rating (C)	5 400 kN
Basic static load rating (C0)	13 700 kN
(Grease) Lubrication Speed	240 r/min
(Oil) Lubrication Speed	310 r/min
Calculation factor (e)	0,17
Calculation factor (Y0)	3,96
Calculation factor (Y1)	4,05

239/800K Bearing 2D drawings and 3D CAD models